



INSTRUCTION MANUAL
MANUAL DE INSTRUCCIONES
MANUEL D'INSTRUCTIONS



Skyfood Equipment LLC

OFFICE

11900 Biscayne Blvd. Suite 512 - North Miami, FL 33181 - USA

1-800-503-7534 | 305-868-1603

UG0170 - INGLÉS

Data de Revisão: 17/04/2023

MEAT AND BONE SAW – 111" BLADE - 2 HP
SIERRA PARA HUESOS - HOJA 111" - 2 HP
SCIE POUR OS - LAME 111" - 2 HP
SI-282HDE-2

- BESIDES THIS EQUIPMENT, A COMPLETE RANGE OF OTHER PRODUCTS ARE MANUFACTURED, CONSULT OUR DEALERS
- DUE TO THE CONSTANT IMPROVEMENTS INTRODUCED TO OUR EQUIPMENTS, THE INFORMATION CONTAINED IN THE PRESENT
INSTRUCTION MANUAL MAY BE MODIFIED WITHOUT PREVIOUS NOTICE.

www.skyfood.us

INDEX

ENGLISH 3

ESPAÑOL..... 23

FRANÇAIS..... 43

Warranty Registration



Questions about how to complete this form?
 Call 1-800-503-7534 / 305-868-1603
 Return completed form to:
 SKYFOOD EQUIPMENT LLC
 11900 Biscayne Blvd. Suite 616
 North Miami, FL 33181 - USA
 Or fax form to:
 305-866-2704

User Details

Contact Person:

Business type:

- | | |
|--|---|
| <input type="checkbox"/> Bakery and Bagel Operations | <input type="checkbox"/> Non-Merchandiser with Grocery |
| <input type="checkbox"/> Bakery (Associated with Restaurant) | <input type="checkbox"/> Non-Merchandiser with NO Grocery |
| <input type="checkbox"/> Breading Center | <input type="checkbox"/> Meat Packer and Purveyor |
| <input type="checkbox"/> Business and Industry In-House Feeding | <input type="checkbox"/> Other Business that prepares or serves food |
| <input type="checkbox"/> Butcher | <input type="checkbox"/> Other Business that sells but doesn't serve food |
| <input type="checkbox"/> Catering | <input type="checkbox"/> Pizzeria (Dine In / Carry-Out) |
| <input type="checkbox"/> Chain Stores | <input type="checkbox"/> Restaurants (Independent / Chain) |
| <input type="checkbox"/> Convenience Store | <input type="checkbox"/> School |
| <input type="checkbox"/> Country Club | <input type="checkbox"/> Steaks / Cafeteria |
| <input type="checkbox"/> Delicatessen (Chain / Restaurant) | <input type="checkbox"/> Supermarket / Grocery |
| <input type="checkbox"/> Delicatessen (Independent and Non-Restaurant) | <input type="checkbox"/> Theme Park |
| <input type="checkbox"/> Food Store | <input type="checkbox"/> University / College |
| <input type="checkbox"/> Government | <input type="checkbox"/> Winery / Winery |
| <input type="checkbox"/> Hospital | <input type="checkbox"/> Warehouse Clubs |
| <input type="checkbox"/> Lodging | <input type="checkbox"/> Wholesale Baking Operations (Non-Institutional) |

Company Name:

Address:

City:

State:

Zip Code:

Phone:

Fax:

E-mail:

Web page:

I would like to join the Mail List.

I would like to join the E-mail List.

Product Details

Product Commercial Item:

This Product Commercial Item can be found on the product's Product Identification Label.

Serial Number:

Confirm Serial Number:

This information, the Product Identification, should be found on the product's Product Identification Label.

Proof of Purchase: Yes
 No

Purchased On: _____ (mm / dd / yyyy)

Purchased From:

Company Name

* Indicates required field.

** Indicates required field, not mandatory by Fax.

remedy for breach of any warranty is limited to the remedies provided in the paragraph above.

All products held at non-commercial facilities or domiciles, must be taken or shipped, shipping charges prepaid, either to SKYFOOD’s facility or a SKYFOOD’s designated service company (“Service Company”). Products held at commercial facilities and weighing less than seventy (70) lbs. must be taken or shipped, shipping charges are prepaid, either to SKYFOOD’s facility or to a Service Company. Mileage or travel time will NOT be paid. SKYFOOD offers a limited on-site warranty for products ONLY held at commercial facilities, whose net weight exceeds seventy (70) lbs., provided they are installed in a location that is within a thirty (30) mile radius of a Service Company. **End Users are responsible for all extra travel and mileage rates.** In this case, warranty services will be provided during regular business hours.

This product will be replaced or repaired under warranty, for a period of (1) year, beginning from the date of purchase by the original purchaser/user (“End User”), or eighteen (18) months from the date of shipment from SKYFOOD’s warehouse, whichever expires first.

Accessories will be replaced or repaired under warranty, for a period of (30) days, beginning from the date of purchase by the original purchaser/user (“End User”), or eighteen (18) months from the date of shipment from SKYFOOD’s warehouse, whichever expires first.

This warranty shall not take effect until a properly completed and executed **WARRANTY REGISTRATION** form has been received by SKYFOOD EQUIPMENT, LLC, within thirty (30) days from the date of purchase. The **WARRANTY REGISTRATION** is available either in the Instruction Manual of every Product or at SKYFOOD’s website www.skyfood.us. The End User must fill out the **WARRANTY REGISTRATION** form and send it to SKYFOOD according to the instructions posted on the referred website. **Failure to do so will VOID the warranty.**

No extended warranties for third party products. There are no other express warranties or conditions other than the one offered by each manufacturer for products sold by SKYFOOD, not under the FLEETWOOD by SKYMSSEN and SKYMSSEN brand.

For questions or assistance, do not return the product or accessories to the store, please call Toll Free 1-800-503-7534, or visit the Customer Service section at www.skyfood.us. For faster service please have the items name, serial number, and proof of purchase for the operator to assist you.

SKYFOOD reserves the right to change the terms of its limited warranty at any time without any prior notice. It also reserves the right to change the design and specifications of its equipment or any related documentation at any time. The end user is not entitled to upgrades or refunds resulting from these changes.

Updates
These **Terms and Conditions** were last updated on January 14th, 2014.

SUMMARY

1. INTRODUCTION	4
1.1 Safety	4
1.2 Main Components	6
1.3 Technical Characteristics	7
2. INSTALLATION	7
2.1 Receiving and Unpacking	7
2.2 Installation	7
3. OPERATION.....	9
3.1 Pre-Operation	9
3.2 Operating process.....	9
3.3 Cleaning and Sanitization.....	10
4. GENERAL SAFETY PRACTICES.....	15
4.1 Basic Operation Practices.....	15
4.2 Safety Procedures and Notes before Switching the Machine ON	16
4.3 Routine Inspection.....	16
4.4 Operation	17
4.5 After Finishing The Work.....	17
4.6 Maintenance	17
4.7 Warning.....	18
5. PROBLEMS ANALYSIS and SOLUTIONS.....	19
5.1 Problems, Causes and Solutions.....	19
6. ELECTRIC DIAGRAM	21

1. INTRODUCTION

1.1 Safety

If and when the Band Saw Model SI-282HDE-2 is not correctly used it is a potentially DANGEROUS machine. Cleaning, maintenance and any other service in the machine shall be carried out by duly trained people and with the plug off its socket. The instructions below must be always followed to avoid ACCIDENTS:

1.1.1 Take the electric plug off its socket, before to withdraw any moving part, before cleaning, maintenance or any other kind of service.

1.1.2 Never use any kind of tools not belonging to the Saw to help during operation.

1.1.3 Never touch the blade # 08 (Pic.01) when the saw is in operation

1.1.4 Never wear loose clothes with wide sleeves mainly around the wrists during operation.

1.1.5 Never adjust the Thickness Guide # 13 (Pic.01) with the saw blade in movement.

1.1.6 Keep hands away from moving parts.

1.1.7 Never switch on the Saw with wet clothes or wet feet.

1.1.8 Ground machine properly during installation.

1.1.9 The saw has a Thermal Protector for the motor protection. Motor and the operator are protected in case of over heating.

Therefore if the equipment suddenly STOPS, wait some minutes, and after reset the Thermal Protector pressing the Button # 01 (Pic. 02)

SKYFOOD EQUIPMENT LLC - SERVICE

For questions or assistance with products **FLEETWOOD by SKYSEN** and **SKYSEN**, call SKYFOOD EQUIPMENT Toll Free: **1-800-503-7534**, 24h Customer support, or visit the Customer Service section of www.skyfood.us.

SKYFOOD'S LIMITED WARRANTY

Unless otherwise specified, new **FLEETWOOD by SKYSEN** and **SKYSEN** products, excluding accessories, sold by SKYFOOD EQUIPMENT, LLC. ("SKYFOOD"), for use only in the continental United States (collectively, "Products" or singularly, "Product"), are warranted to be free from defects in materials and workmanship for a period of one (1) year from the date of purchase by the original purchaser/user ("End User"), or eighteen (18) months from the date of shipment from SKYFOOD's warehouse, whichever expires first. Several new products and accessories may be warranted for a period other than one (1) year while others may be subject to travel limitations, as specified on the products Instruction Manual. **Proof of purchase must be presented; if not this warranty will be VOID.** No warranty is given or implied to a subsequent transferee or any other third party. This warranty is expressly conditional upon SKYFOOD being notified of any defects in materials or workmanship within five (5) days of its occurrence, within the warranted time period. If a notice of a claim under this warranty is timely made by the End User, SKYFOOD or a SKYFOOD's designated service company ("Service Company"), will repair or replace the Product, at SKYFOOD's discretion, subject to the additional conditions hereinafter described.

This warranty shall not apply if damage occurs from improper installation or maintenance performed by an unauthorized service company ("Service Company"), wrong voltage, nor to the extent that Products or parts have been used other than in conformance with operating and maintenance instructions, subjected to misuse or abuse or damaged by accident, acts of God, abnormal use, stress or any other matter unrelated to SKYFOOD, and beyond its reasonable control. **This warranty does NOT cover service labor and travel to perform adjustments on products and/or accessories.** In addition to wear and tear of certain items, such as, but not limited to; glass parts, blades, stones, chopper cutting knives, plates, slicing knives, cutting disc, gaskets, oil changes, sealing tape, heat seal wires, worm gears, self-lubricating bushings, carbon brushes for electric motors, and other parts expendable by nature and that need to be replaced frequently. **Electrical components are subject to natural wear and tear, and are NOT covered by this warranty. THIS WARRANTY EXCLUDES ALL ORAL, STATUTORY, EXPRESS OR IMPLIED WARRANTIES WHICH MAY BE APPLICABLE TO SKYFOOD, INCLUDING, BUT NOT LIMITED TO, ANY IMPLIED WARRANTY OF MERCHANTABILITY AND FITNESS FOR PARTICULAR PURPOSE.** Under no circumstances shall SKYFOOD be liable for loss of use, revenue or profit or for incidental or consequential damages. SKYFOOD shall under no circumstances be liable for any loss, damage, concealed damage, expense or delay of goods for any reason when said goods are in the custody, possession or control of third parties selected by SKYFOOD to forward, enter, clear, transport, or render other services with respect to such goods. The sole and exclusive

IMPORTANT

In order to improve user safety the Band Saw model SI-282HDE-2 is equipped with a safety system, which refrain itself from being activated if the upper door # 04 (Pic.01), the lower door #15 (Pic.01) and the blade guard #17 (Pic.01) are not properly in place.

IMPORTANT

This equipment must not be used by children or any persons with reduced physical or mental aptness, lack of experience or knowledge, unless they are under supervision or have received from the person responsible for safety, proper instructions on how to use the equipment.

IMPORTANT

The cord shall be in perfect conditions for the use, check it carefully, and change a damaged cord using a new one designed in accordance with the surety and technical specifications. The changing shall be made by qualified professionals and shall respect local safety rules.

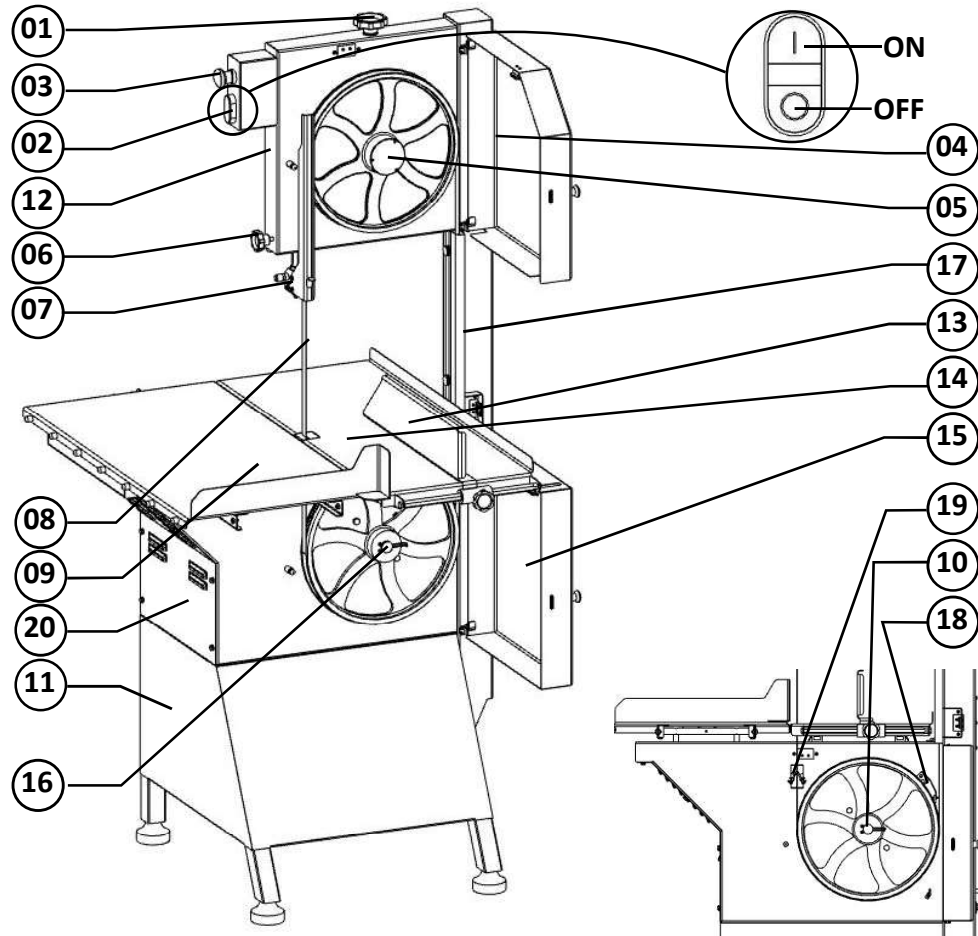
IMPORTANT

In case of emergency use emergency switch # 03 (Pic.01). To switch the machine back ON push green button of ON/OFF Switch # 02 (Pic.01).

1.2 Main Components

All components are manufactured with carefully chosen raw materials in accordance with Siemens experience and testing standards.

PICTURE 01



- 01 - Blade Tension Regulator Handle
- 02 - ON/OFF Switch
- 03 - Emergency Button Switch
- 04 - Upper Door
- 05 - Upper Wheel
- 06 - Handle
- 07 - Blade Guide
- 08 - Blade (width 3/4")
- 09 - Movable table
- 10 - Wheel Staple
- 11 - Rack

- 12 - Frame
- 13 - Thickness Guide
- 14 - Fixed table
- 15 - Lower Door
- 16 - Lower wheel
- 17 - Blade guard
- 18 - Wheel Scraper
- 19 - Blade Scraper
- 20 - Motor Housing

6 DIAGRAMME ÉLECTRIQUE

RESEAU ÉLECTRIQUE
230V/60Hz

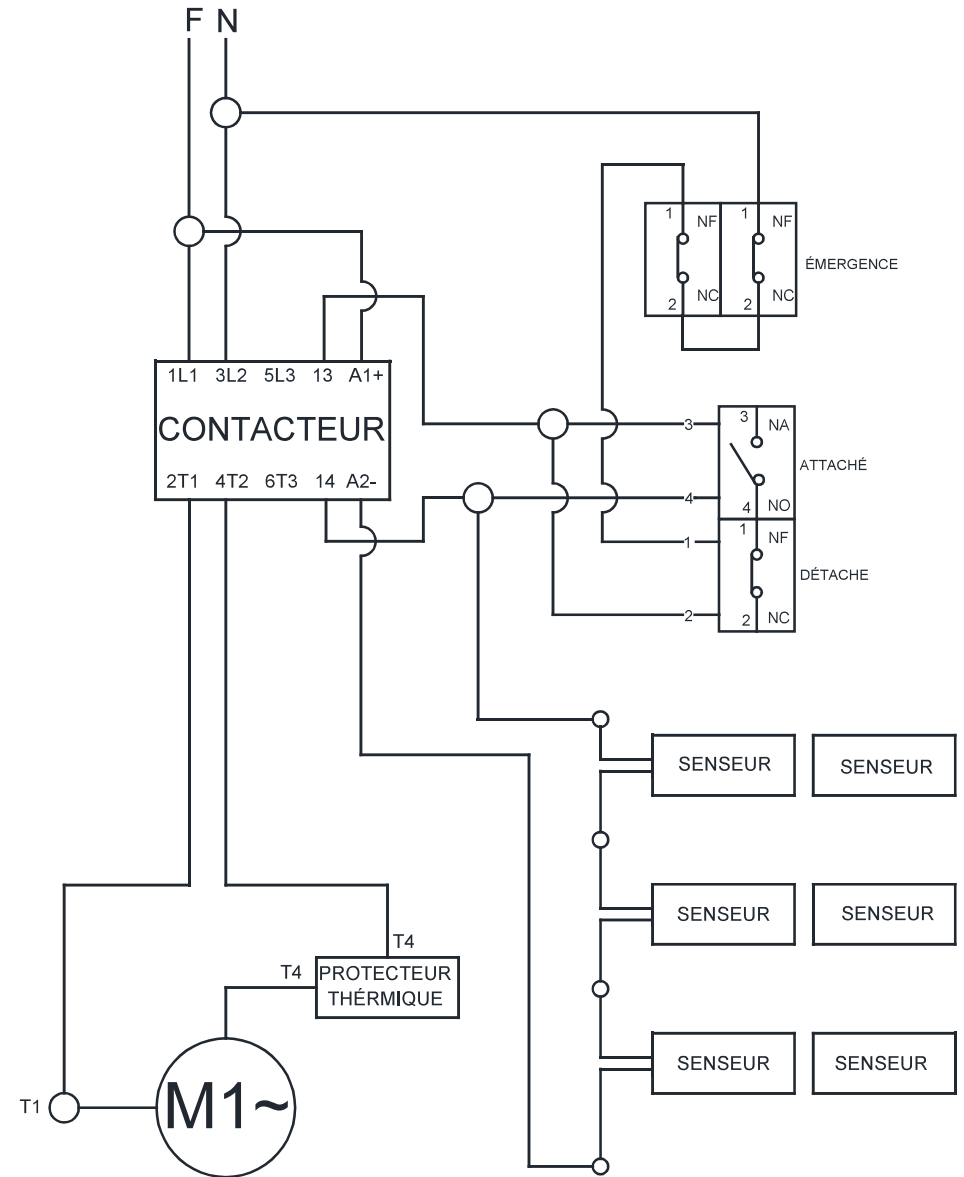


TABLE 02

PROBLÈME	CAUSES	SOLUTIONS
La machine ne démarre pas	La machine est détachée de l'électricité	Branchez la machine au réseau électrique
	Manque d'énergie électrique	Vérifier s'il manque l'électricité
	Problème avec les circuits électriques internes ou externes de la machine	Appeler l'Assistance Technique
	Le Protecteur Thermique est ouvert	Attendez quelques minutes et rebranchez le protecteur
Odeur de brûlé ou fumée	Problème avec les circuits électriques internes ou externes de la machine	Appeler l'Assistance Technique
La machine démarre, mais quand le produit touche la lame No 08 (Fig.01), celle-ci s'arrête ou tourne à basse rotation	La courroie glisse	Appeler l'Assistance Technique
	Problème avec le condensateur de partie du moteur	Appeler l'Assistance Technique
Bruits anormaux	La lame glisse sur le volant	Tournez le Manipule No 01(Fig.01), pour augmenter la pression entre la Lame et le volant.
	La Lame est mal soudée	Changer la Lame.
La lame casse avec fréquence	Lame sâle ou volants sâles	Faire le nettoyage, voir item 3.3
	Volant avec un défaut	Changer les volants
Le produit se coupe difficilement	Lame sâle ou volants sâles	Faire le nettoyage, voir item 3.3
	Lame avec mauvaise tension	Ajuster la lame
	La lame est décentré par rapport aux volants	Appeler l'Assistance Technique
	La Lame est mal aiguisée	Changer la Lame

1.3 Technical Characteristics

TABLE 01

CHARACTERISTICS	UNIT	SI-282HDE-2
Voltage	V	220
Electric Current	A	5,6
Frequency	Hz	60
Power Rating	HP	2
Consumption	kW,h	1.47
Height	in	37 1/2
Width	in	37 3/4
Depth	in	37 1/2
Net Weight	lb	251
Shipping Weight	lb	357
Maximum Cutting Height	in	12 3/4
Maximum Cutting Width	in	10

2. INSTALLATION

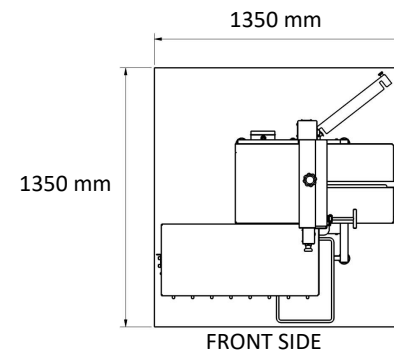
2.1 Receiving and Unpacking

As soon as the equipment is received check the packaging integrity. If packaging is damaged, check if there has been some damage to the equipment during transportation. If damage has been found, keep the packaging and contact immediately the transporter.

2.2 Installation

2.2.1 Placing the saw

The Saws must be installed over a firm working surface. See below drawing the recommended area.

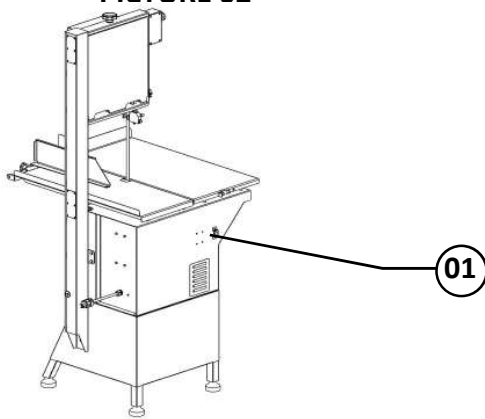


2.2.2 Electric Installation

This Saw model is supplied without the cord. The electric installation shall be made inside the Connection Box #.02 (Pic.02) to be found at the saw side.

Open the Box lid using a screw driver. Inside the Box find the electric diagram.

PICTURE 02



IMPORTANT
Make sure the network voltage is the same as indicated on the cord label.

2.2.3 Blade

The Blade shall be installed with the teeth turned toward the saw front side, and downward. To stretch the blade #. 08 (Pic.01) turn clockwise the Blade Tension Regulator Handle #.01 (Pic.01) until it stops.

The quantity of teeth in a band saw will influence both, the cutting speed and the quantity of remains produced during the cutting procedure. Kindly check below a comparative table, showing the two most common measures found on the Market:

Performance by the Type of Blade Used		
6 Teeth by Inches	↓ Cutting Speed	↓ Remains
4 Teeth by Inches	↑ Cutting Speed	↑ Remains

2.2.4 Blade Guide

With the saw switched OFF turn the Handle #.06 (Pic.01) counter clockwise to loose the Blade Guide #. 07 (Pic. 01).

Adjust the Blade Guide height to meet the meat piece thickness, and not more. Then tight the handle # 06 (Pic 01)

5. Analyse et Solution de Problèmes

5.1 Problèmes Causes et Solutions

Les Scies ont été projetés pour que le minimum d' entretien soit nécessaire, toutes fois, quelques irrégularités dans leurs fonctionnement peuvent se produire, suite à l' usage continu de l'équipement.

En cas de problème vérifier la Table No. 02, où nous décrivons quelques solutions recommandés.

4.4 Opération

4.4.1 Avertissements

Évitez travailler avec des cheveux longs, qui puissent toucher n'importe quelle partie de la machine, puisqu'ils pourront causer de sérieux accidents. Liez-les derrière votre tête, ou couvrez-les avec un mouchoir.

Seulement des opérateurs entraînés et qualifiés, peuvent opérer la machine.

Ne jamais opérer la machine sans tous ses accessoires de sûreté.

4.5 Après la Fin du Travail

4.5.1 Précautions

Nettoyez toujours la machine, pour cela ENLEVEZ LA FLÉCHE DE SA PRISE DE COURANT.

Ne jamais nettoyer la machine avant son complet arrêt.

Replacez tous les composants de la machine à leur place avant de la démarrer à nouveau.

Vérifier tous les fluides.

Vérifier la tension de courroies et des chaînes, NE PAS placer les doigts entre les courroies et les poulies, ni entre les chaînes et les engrenages.

4.6 Entretien

4.6.1 Dangers

Avec la machine embranché toutes opérations d'entretien sont dangereuses.

ENLEVEZ LA FLÉCHE DE SA PRISE DE COURANT, PENDANT TOUT LE TEMPS DE L'ENTRETIEN

IMPORTANT

Dans n'importe quel occurrence imprévue, enlevez toujours la flèche de sa prise de courant.

4.7 Avertissements

L'entretien électrique ou mécanique doit être fait par des personnes dûment qualifiées pour ce genre de travail.

La personne chargée de l'entretien doit s'assurer que la machine travaille dans sa conditions de TOTALE SÉCURITÉ.

2.2.5 Tray

The Saw model SI-282HD has a Tray #.16 (Pic.01) placed under the saw, to collect residues To remove the tray pull it sideways until it is completely out.

To replace it follow the inverse procedure and push until it is completely in

2.2.6 Scrapers

The saw model SI-282HD has two scrapers, the wheel scraper # 18 (Pic 01) and the blade scraper # 19 (Pic.01)

The Wheel Scraper

This scraper cleans the bone dust or the residues from the Lower Wheel during operation.

The scraper may be removed for cleaning (see item 3.3 Cleaning).

The Blade Scraper

This scraper cleans the bone dust or the residues from the blade during the operation. The scraper may be removed for cleaning (see item 3.3 cleaning).

2.2.7 Lower Wheel

The Lower Wheel #. 16 (Pic.01) is assembled on the lower bearing shaft and fixed by the staple #. 10 (Pic.01). The staple shall always be placed in the shaft slit.

The lower wheel may be removed for cleaning after removing the blade.(see item 3.3 Cleaning).

2.2.8 Upper Wheel.

The Upper Wheel #.05 (Pic.01) frame has its own shaft and bearings.

Therefore the Upper Wheel has to be removed with the shaft and bearing for cleaning (see item 3.3 Cleaning), only after the Blade has been taken off.

3. OPERATION

3.1 Pre-Operation

3.1.1 Check if the saw is standing firm in its position

3.1.2 Adjust the Blade Guide # 07 (Pic.01) height to meet the meat piece thickness.

3.1.3 Doors and Blade Guard

The upper door #.04 (Pic.01), the Lower Door #. 15 (Pic.01) and the Blade Guard #17 (Pic.01) shall be closed and in their right position while the saw is operating...

3.1.4 Thickness Guide

To obtain several slices with the same thickness, adjust the Thickness Guide #.13 (Pic.01) as desired. Turn the Thickness Guide Handle counter clockwise loosening the Thickness Guide, and drive it to the desired thickness. Then tight back the handle.

3.1.5 Control Board.

The ON/OFF Switch # 02 (Pic.01) and the Emergency Button Switch #.03 (Pic,01) are placed on a control board, on the motor housing upper front side.

To turn ON the saw press the ON/OFF Switch (green) button to position "I"..

To stop the saw operation press the ON/OFF Switch (red) button to position "O".

If an emergency case arises, press the EMERGENCY button, immediately stopping the saw operation.

3.2 Operating process

Before to start the Saw

- Pull totally the Movable Table # 09 (Pic.01) toward the saw front side..
- Place the meat on the Movable Table.
- Choose the slice thickness and adjust the Thickness Guide #. 13 (Pic.01) (see item 3.1.4)
- Adjust the Blade Guide # 07 (Pic.01) height to meet the meat piece thickness (see item 2.2.4)
- Take place in front of the saw, to have a frontal view of the blade.

Starting the Saw

- To start the saw press the ON/OFF Switch green button.
- Push the meat toward the Thickness Guide, touching it.
- Place the left hand on the table protection guard and slide the Movable Table against the Blade, slicing the meat at a constant and uniform speed.
- After cutting the slice remove it using the right hand. The slice must always be removed behind the blade to avoid the hand to touch the blade cutting side.

NE PAS ALTÉRER les caractéristiques originales de la machine.

NE PAS SALIR, DECHIRER OU RETIRER LES ÉTIQUETTES DE SURTÉ OU D'IDENTIFICATION.

Si une étiquette est salie ou perdue, demandez une neuve à votre Assistant Technique le plus proche.

4.2 Précautions et Observations Avant de Démarrer la Machine

IMPORTANT

Lire totalment et avec attention ces INSTRUCTIONS avant dembrancher la machine. Soyez sur que toutes les informations ont été correctement comprises. En cas de doute consultez votre superieur ou le Revendeur.

4.2.1 Danger

Un cordon d' alimentation électrique ou un fil électrique avec l' isolement endommagé, peut causer des fuites de courant et provoquer de choques électriques. Avant l' usage vérifier ses conditions.

4.2.2 Avertissements

Soyez sur que les INSTRUCTIONS de ce manuel aient été parfaitement comprises. Chaque fonction ou procedé d' opération et d' entretien doit être parfaitement claire.

Un commandement manuel (bouton, clavier, interrupteur, etc) ne doit être operé que si on est sur que le commandement est correct.

4.2.3 Précautions

Le cordon d' alimentation électrique doit avoir une section suffisante pour suporter la puissance consommé.

Les cables électrique sur le sol, auprès de la machine doivent être protégés pour éviter des court circuits.

4.3 Inspection de Routine

4.3.1 Avertissement

Quand il soit necessaire de vérifier la tension de courroies ou de chaines, NE PAS METTRE les doigts entre les courroies et les poulies ou les chaines et ses engrenages.

4.3.2 Précautions

En cas de bruits anormaux, controler les moteurs, courroies, engrenages, et les parties tournantes de la machine.

Vérifier la tension des courroies et des chaines, changez l' assemblage complet si quelque courroies, chaine ou engrenage est usé.

Vérifiez les protections et les dispositifs de sureté pour qu' ils soient toujours en parfait état de fonctionment.

4. NOTIONS GENERALES DE SECURITE

IMPORTANT

Dans le cas où quelques recommandation ne soient pas applicables ne les considérez pas.

Les notions de sécurité ont été préparés pour orienter et instruire convenablement les opérateurs des machines, ainsi que ceux qui seront responsables pour leur entretien. La machine ne doit être remise à son operateur que dans des bonnes conditions de fonctionnement, l' operateur doit être instruit sur l' emploi et la sécurité par le Revendeur. L' operateur devra employer la machine seulement après avoir pris connaissance de toutes les précautions applicables , et avoir lu ATTENTIVEMENT LA TOTALITÉ DE CETTE NOTICE EXPLICATIVE.

4.1 Pratiques Fondamentales pour l' Opération

4.1.1 Dangers

Certaines parties des commandements électriques, ont des points avec des hautes tensions. Si ces points sont touchés, ils peuvent causer des chocs électriques graves, même MORTELS.

Ne jamais toucher un commandement manuel (bouton, clavier, interrupteur.etc) avec des mains, des chaussures ou des vetments mouillés. Ne pas observer cette recommandation, pourra aussi provoquer de chocs électriques, même MORTELS

4.1.2 Précautions

L' enlacement de Interrupteur doit être bien connu, pour permettre son usage à n' importe quel moment sans devoir le chercher.

Avant n' importe quelle operation d' entretien, detachez la flèche de sa prise de courant. Aménager un espace suffisant pour éviter de chutes dangereuses.

De l'eau ou de l' huile pourront rendre le sol glissant et dangereux. Pour éviter des accidents, le sol doit être propre et sec.

Ne jamais toucher un commandement manuel (bouton, clavier, interrupteurs, etc) au hazard.

Si un travail doit être fait par deux ou plusieurs personnes, des signaux de coordination doivent être donnés à chaque étape du travail. L' étape suivante ne doit pas être commencé sans que le signal soit donné et répondu.

4.1.3 Avertissements

En cas de coupure d' énergie électrique ouvrez immédiatement l' Interrupteur.

Employez des huiles lubrifiants ou des graisses recommandés ou similaires.

Évitez des chocs mécaniques, car ils pourraient causer des dommages, ou un fonctionnement défectueux.

Évitez que de l'eau, de la saleté ou de la poussière entre dans les composants mécaniques ou électriques.

IMPORTANT

Do never remove the slices by the blade front side.

- Place and store the slices on the Fixed Table #.14 (Pic. 01)
- Bring back the Movable Table toward the front side of the machine and repeat the above mentioned steps until the whole meat has been sliced.
- After to have finished the last slice switch OFF the saw pressing the red button "0".

3.3 Cleaning and Sanitization

IMPORTANT

Unplug the saw before to start Cleaning.

When the saw must go through a complete cleaning and sanitization process :

- before to be used first time.
- After every day end of operations
- When the saw is not going to be used for a long period of time.
- Before to start operation after a long period it has not been used.

Many model SI-282HD parts may be removed for cleaning:

- Upper Door
- Lower Door
- Blade Guard
- Movable Table
- Fixed Table Block
- Fixed Table
- Blade
- Upper Wheel
- Lower Wheel
- Blade Scraper
- Wheel Scraper
- Blade Tension Regulator

Follow the below instructions to remove the above mentioned parts:

- Upper Door
Open the door #.04 (Pic.01), and lift it.

- Lower Door
Open the door # 15 (Pic.01), and lift it.

- Blade Guard
Turn counter clockwise the two handles, just enough to loose the Blade Guard # 01 (Pic 03), then remove the Blade Guard pulling it towards the saw front side.

- Movable Table
Pull totally the Movable Table #.09 (Pic.01) towards the saw front side.
Displace the end plate, see picture 04, and slide the Movable Table completely out of the rollers.

- Fixed Table Block



PICTURE 03

Remove the Fixed Table Block lifting the block above the Fixed Table, see picture 05.

- Fixed Table
Lift vertically the Fixed Table front side, picture 06 (see the arrow) until to loose the lower trigger. Then pull the Fixed Table towards the front, picture 07, (see the arrow) until the table is completely removed.



PICTURE 04

3.3.1 Précautions avec les aciers inoxydables

Les aciers inoxydables peuvent présenter de points de « corrosion » qui SONT TOUJOURS PROVOQUÉS PAR DES AGENTS EXTERNES, principalement quand les soins avec la propreté et l'hygiène ne sont pas constants et adéquats.

La résistance à la corrosion de l'acier inoxydable est principalement due à la présence du chrome qui, en contact avec l'oxygène, permet la formation d'une très fine couche protectrice. Cette couche de protection se forme sur toute la surface de l'acier, bloquant l'action des agents externes qui provoquent la corrosion.

Quand la couche protectrice se rompt, la corrosion commence, et ne peut être évitée que par un nettoyage constant et adéquat.

Immédiatement après avoir utilisé un équipement, il sera donc nécessaire pourvoir au nettoyage, employant de l'eau, du savon ou des détergents neutres, appliqués avec un torchon suave ou une éponge de nylon. Ensuite, rincer avec de l'eau courante, essuyer et sécher avec un torchon suave, évitant l'humidité sur les surfaces et principalement dans les replis.

Le rinçage et l'essuyage sont extrêmement importants pour éviter des traces et des corrosions

IMPORTANT

Les solutions acides, solutions salines, désinfectants et certaines solutions pour stériliser (hypochlorites, sels d'ammoniac tétravalent, composés de iode, acide nitrique entre autres), doivent être évités car elles ne peuvent pas rester trop longtemps en contact avec l'acier inoxydable.

Puisque généralement elles ont du CHLORE dans leur composition, ces substances attaquent l'acier inoxydable, causant des points de corrosion.

Même les détergents employés dans le nettoyage domestique, ne doivent pas rester en contact avec l'acier inoxydable plus que le nécessaire, ils doivent être enlevés avec de l'eau et la surface devra être complètement séchée.

Emploi d'abrasifs :

Éponges, laines d'acier, ou brosses d'acier en général, outre à grater la surface et compromettre la protection de l'acier inoxydable, laissent des particules qui s'oxydent et réagissent contaminant l'acier inoxydable.

Pour cela ces produits ne doivent pas être utilisés pour le nettoyage et l'hygiène. Des gratages avec des objets pointus ou pareils doivent aussi être évités.

Principales substances qui causent la corrosion des aciers inoxydables :

Poudres, graisses, huiles, solutions acides tel que le vinaigre, jus de fruits, ou autres acides, solutions salines (saumure), sang, détergents (exceptés les neutres), particules d'acier, restes d'éponges, ou de laines d'acier, et aussi d'autres types d'abrasifs.

FIGURE 08



FIGURE 09



Racleur de la Lame
Glissez le Racleur de la Lame lateralment pour le sortir.

Racleur du Volant
Enlevez le Volant Inférieur et il suffira tirer le Racleur du Volant vers le devant de la scie le sortant de son guide.

Calibreur de la Lame
Placez vous derrière la scie et retirez le Couvercle Arrière Supérieur No.01 (Fig.10). Tournez le Manipule du Calibreur de la Lame No 02 (Fig.11) dans le sens anti-horaire pour que le Calibreur de la Lame No. 01 (Fig.11) soit libre et puisse être retiré.
Retirer aussi le Manipule du Calibreur No 02 (Fig.11)

FIGURE 10

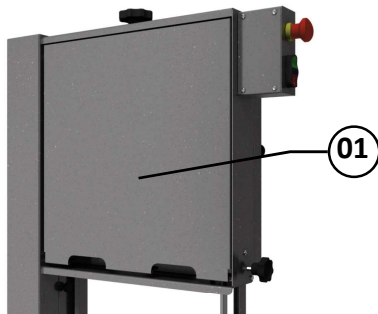
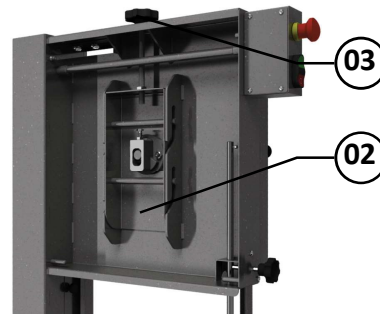


FIGURE 11



Laver toutes les parties avec eau et détergent à Ph neutre.

IMPORTANT

Ne pas employer de jets d'eau directement sur le Coussinet Inférieur, la Tableau de Commande et le Cabinet principalement au points de ventilation.

Employer un chiffon propre et une brosse douce pour enlever les residus.
Laver et hygienizer régulièrement toutes les parties, pour ensuite les sécher.
Monter toutes les parties ayant été retirés par le procédé inverse à celui instruit ci dessus, prenent soin pour qu' elles soient montés correctement.

- Blade
Turn the Blade Tension Regulator Handle # 01 (Pic.01) counter clockwise, until the blade gets loose, for removing.

PICTURE 05



PICTURE 06



PICTURE 07



IMPORTANT
Use steel gloves to hold the blade

- Upper wheel
Remove the blade, after, hold strongly the Upper Wheel #.05 (Pic.01), push it vertically up and then pull it towards the saw front side.

- Lower Wheel
Remove the Staple #.01 (Pic.08) hold strongly the Lower Wheel and pull it towards the saw front side, picture 09.

PICTURE 08

PICTURE 09



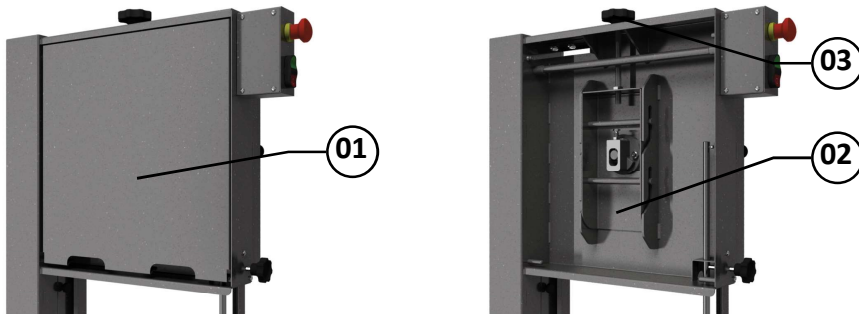
- Blade Scraper
Slide the Blade Scraper sideways until it gets out

- Wheel Scraper
Remove the Lower Wheel, then pull the Scraper towards the saw front side until it gets out.

Blade Tension Regulator
Stand behind the saw and remove the Upper Back Cover #.01 (Pic.10). Turn the Blade Tension Regulator Handle # 02 (Pic.11) counter clockwise until the Blade Tension Regulator # 01 (Pic.11) gets free to be removed.
Also remove the Blade Tension Regulator Handle # 02 (Pic.11).

PICTURE 10

PICTURE 11



- Wash all the parts with water and neutral pH detergent.

IMPORTANT

Do not spray water directly on the Lower Bearing, the Control Board and the Motor Housing # 20 (Pic. 01), principally at the ventilation points.

Use clean clothes or soft brushes to remove residues.
Washing and sanitization shall be regularly performed and then all parts shall be carefully dried.
To assemble the several parts removed proceed inversely as above instructed, make sure all parts to be properly assembled.

Porte Supérieure

FIGURE 05



Ouvrez la Porte Supérieure No. 04 (Fig.01) et sortez-la par en haut.

Porte Inférieure

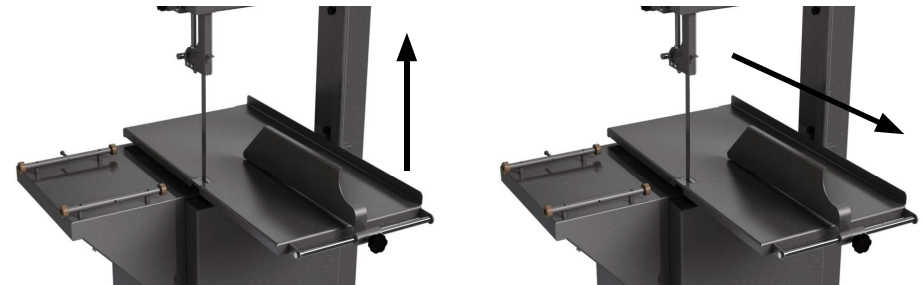
Ouvrez la Porte Inférieure No.15 (Fig.01), et sortez-la par en haut

Protecteur de la Lame

Tournez les deux manipulateurs dans le sens anti-horaire suffisamment pour relâcher le

FIGURE 06

FIGURE 07



Protecteur de la Lame No 01 (Fig.03). Retirez alors le Protecteur de la Lame le tirant vers l'avant de la scie.

Table Mobile

IMPORTANT

Employer des gants en maille d'acier pour prendre la Lame

Volant Supérieur

Après avoir retiré la Lame prendre fermement le Volant Supérieur No.05 (Fig.01) le poussant vers le haut, ensuite poussez-le vers le devant de la scie.

Volant Inférieur

Retirez l'attache No.01 (Fig.08) prenez fermement le Volant Inférieur et poussez-le en avant, voir figure 09.

La scie doit être totalement nettoyée et hygiénisée :

- Avant du premier emploi.
- Après chaque journée de travail
- Avant de la mettre hors d'usage pour une longue période
- Avant de recommencer l'opération après une longue période arrêtée.

Plusieurs parties de la scie peuvent être retirées pour les nettoyer.

- . Porte Supérieure
- . Porte Inférieure
- Protecteur de la Lame
- Table Mobile
- Cheville de la Table Fixe
- Table Fixe
- Lame
- Volant Supérieur
- Volant Inférieur
- Racleur de la Lame

FIGURE 03



- Racleur du Volant
- Calibreur de Tension

Ci dessous vous trouverez les instructions pour retirer les parties mentionnés :

FIGURE 04



3.3.1 Cautions with Stainless Steel:

The Stainless Steel may present rust signs, which ARE ALWAYS CAUSED BY EXTERNAL AGENTS, especially when the cleaning or sanitization is not constant and appropriate.

The Stainless Steel resistance towards corrosion is mainly due to the presence of chrome, which in contact with oxygen allows the formation of a very thin protective coat. This protective coat is formed through the whole surface of the steel, blocking the action of external corrosive agents.

When the protective coat is broken, the corrosion process begins, being possible to avoid it by means of constant and adequate cleaning.

Cleaning must always be done immediately after using the equipment. For such end, use water, neutral soap or detergent, and clean the equipment with a soft cloth or a nylon sponge. Then rinse it with plain running water, and dry immediately with a soft cloth, this way avoiding humidity on surfaces and especially on gaps.

The rinsing and drying processes are extremely important to prevent stains and corrosion from arising.

IMPORTANT

Acid solutions, salty solutions, disinfectants and some sterilizing solutions (hypochlorites, tetravalent ammonia salts, iodine compounds, nitric acid and others), must be AVOIDED, once it cannot remain for long in contact with the stainless steel.

These substances attack the stainless steel due to the CHLORINE on its composition, causing corrosion spots (pitting).

Even detergents used in domestic cleaning must not remain in contact with the stainless steel longer than the necessary, being mandatory to remove it with plain water and then dry the surface completely.

Use of abrasives:

Sponges or steel wool and carbon steel brushes, besides scratching the surface and compromising the stainless steel protection, leave particles that rust and react contaminating the stainless steel. That is why such products must not be used for cleaning and sanitization. Scrapings made with sharp instruments or similar must also be avoided.

Main substances that cause stainless steel corrosion:

Dust, grease, acid solutions such as vinegar, fruit juices, etc., saltern solutions (brine), blood, detergents (except for the neutral ones), common steel particles, residue of sponges or common steel wool, and also other abrasives.

4. GENERAL SAFETY PRACTICES

IMPORTANT

If any recommendation is not applicable to your equipment, please ignore it.

The following safety instructions are addressed to both the operator of the machine as well as the person in charge of maintenance.

The machine has to be delivered only in perfect conditions of use by the Distributor to the user. The user shall operate the machine only after being well acquainted with the safety procedures described in the present manual. **READ THIS MANUAL WITH ATTENTION.**

4.1 Basic Operation Practices

4.1.1 Dangers

Some areas of the electric device have parts that are connected or have parts connected to high voltage. These parts when touched may cause severe electrical shocks or even be lethal.

Never touch manual commands such as switches, buttons, turning keys and knobs with your hands wearing wet clothes and/or wet shoes. By not following these instructions operator could be exposed to severe electrical shocks or even to a lethal situation.

4.1.2 Warnings

- * The operator has to be well familiar with the position of ON/OFF Switch to make sure the Switch is easy to be reached when necessary.
- * Before any kind of maintenance, physically remove plug from the socket.
- * Provide space for a comfortable operation thus avoiding accidents.
- * Water or oil spilled on the floor will turn it slippery and dangerous. Make sure the floor is clean and dry.
- * Before using any commands (switch, buttons, lever), be sure it is the correct one. In case of doubt, consult this manual.
- * Never touch any manual commands (switch, buttons, lever) unadvisedly.
- * If any work is to be made by two or more persons, coordination signs will have to be given for each operation step. Every step of the operation shall be taken only if a sign has been made and responded.

4.1.3 Advices

- * In case of power shortage, immediately switch the machine off.
- * Use recommended or equivalent lubricants, oils or greases.

IMPORTANT

Ne retirez jamais les tranches devant la Lame.

Mettez les tranches sur la Table Fixe No 14 (Fig.01).

Tirez la Table Mobile vers l' avant de la scie et répétez le procédé jusqu'à avoir coupé tout le produit.

À la fin de la dernière tranche détachez la scie en appuyant le bouton rouge « O » de l' Interrupteur Attaché/Détaché.

3.3 Nettoyage et Hygienization

IMPORTANT

Enlevez la Flèche de la Prise avant de commencer le Nettoyage

La scie doit être totalement nettoyée et hygienisée :

- Avant du premier emploi.
- Après chaque journée de travail
- Avant de la mettre hors d'usage pour une longue période
- Avant de recommencer l' opération après une longue période arrêtée.

Plusieurs parties de la scie peuvent être retirées pour les nettoyer.

- . Porte Supérieure
- . Porte Inférieure
- Protecteur de la Lame
- Table Mobile
- Cheville de la Table Fixe
- Table Fixe
- Lame

3 OPÉRATION

3.1 Pré Opération

3.1.1 Assurez-vous que la scie soit ferme sur son emplacement.

3.1.2 Ajustez la Guide de la Lame No 07 (Fig.01) pour que son hauteur soit celle de la pièce à être coupé.

3.1.3 Les Portes et le Protecteur de la Lame – La Porte Supérieure No 04 (Fig.01), la Porte Inférieure No. 15 (Fig.01), et le Protecteur de la Lame NO 17 (Fig. 01) – doivent être dans la position d opération, dûment fermés tant que la scie soit en usage.

3.1.4 Régulateur de Coupe

Pour faire plusieurs tranches de la même épaisseur faites l'ajustage du Régulateur de Coupe No 13 (Fig.01) selon votre nécessité.

Pour faire cet ajustage tournez le Manipule du Régulateur dans le sens anti-horaire pour le libérer.

Alors poussez le Régulateur à l'épaisseur désirée.

Finalmente serrez fortement le Manipule du Régulateur.

3.1.5 Tableau de Commande

Le Tableau de Commande se trouve à la droite de la scie, et possède un Bouton d'Émergence No.03 (Fig.01) et un Interrupteur Attaché/Détaché No 02 (Fig 01).

Pour attacher la scie pressez le bouton vert « I » (attaché) de l'Interrupteur.

Pour détacher la scie pressez le bouton rouge « O » de l'interupteur.

Dans le cas d'ÉMERGENCE pressez le bouton émergence qui détachera la scie immédiatement.

3.2 Procédé pour l' Opération

Avant de démarrer la scie:

Tirez la Table Mobile No. 09 (Fig.01) totalment vers le avant de la scie.

Placez le produit à couper sur la Table Mobile.

Choisissez l'épaisseur de la tranche qui doit être coupé et ajustez le Régulateur de Coupe No 13 (Fig.01), voir item 3.1.4.

Ajustez la Guide de la Lame No.07 (Fig.01) pour convenir à la hauteur de la pièce qui sera coupée, voir item 2.2.4

Placez- vous devant la scie pour avoir une vision frontale de la Lame

Démarrez la Scie.

Pour attacher la scie pressez le bouton vert « I » de l'Interrupteur Attaché/Détaché

Poussez le produit a couper vers le Régulateur de Coupe jusqu'à le toucher.

Placez la main gauche sur le bord de protection de la Table Mobile et glissez la Table Mobile contre la Lame coupant le produit avec une vélocité constante et uniforme.

Après avoir coupé toute la tranche, avec la main droite retirez-la. La tranche devra TOUJOURS être retirée derrière la Lame pour éviter le contact de la main avec la lame.

* Avoid mechanical shocks, once they may cause damages or bad functioning.

* Avoid water, dirt or dust contact to the mechanical and electrical components of the machine.

* DO NOT change the standard characteristics of the machine.

* DO NOT remove, tear off or maculate any safety or identification labels stuck on the machine. If any labels have been removed or are no longer legible, contact your nearest dealer for replacement.

4.2 Safety Procedures and Notes before Switching the Machine ON

IMPORTANT

Carefully read ALL INSTRUCTIONS of this manual before turning the machine ON. Be sure to well understand all the information contained in this manual. If you have any question contact your supervisor or your nearest Dealer.

4.2.1 Danger

An electric cable or electric wire with damaged jacket or bad insulation might cause electrical shocks as well as electrical leak. Before use, check the conditions of all wires and cables.

4.2.2 Advices

Be sure to well understand all the information contained in this manual. Every operation function or procedure has to be thoroughly clear.

Before using any commands (switch, buttons, lever), be sure it is the correct one. In case of doubt, consult this manual.

4.2.3 Precautions

The electric cable has to be compatible with the power required by the machine.

Cables touching the floor or close to the machine need to be protected against short circuits.

The oil reservoirs have to be filled until the indicated level. Check and refill if necessary.

4.3 Routine Inspection

4.3.1 Advice

When checking the tension of the belts or chains, DO NOT insert your fingers between the belts and the pulleys and nor between the chain and the gears.

4.3.2 Precautions

Check the motor and sliding or turning parts of the machine in case of abnormal noises. Check the tension of the belts and chains and replace the set when belts or chains show

signs of wearing.

When checking the tension of belts or chains DO NOT insert your fingers between belts and pulleys, nor between the chains and gears.

Check protections and safety devices to make sure they are working properly.

4.4 Operation

4.4.1 Warnings

Do not use the machine with long hair that could touch any part of the machine. This might lead to a serious accident. Tie your hair up well and/or cover it with a scarf.

Only trained or skilled personnel shall operate this machine.

Never touch turning parts with your hands or any other way ,

NEVER operate the machine without any original safety devices under perfect conditions.

4.5 After Finishing The Work

4.5.1 Precautions

Always TURN THE MACHINE OFF before cleaning by removing the plug from the socket.

Never clean the machine unless it has come to a complete stop.

Put all the components back to their functional positions before turning the machine ON again.

Check the level of oil.

Do NOT insert your fingers in between belts and pulleys nor chains and gears.

4.6 Maintenance

4.6.1 Danger

Any maintenance with the machine in working situation is dangerous. TURN IT OFF BY PULLING THE PLUG OFF THE SOCKET DURING MAINTENANCE.

IMPORTANT

Always remove the plug from the socket in any emergency situation.

2.2.4 Guide de la Lame

Avec la Scie détachée, tourner le Manipule No 06 (Fig.01) dans le sens anti horaire pour libérer le Guide de la Lame No.07 (Fig.01). Ensuite régler la hauteur du Guide de la Lame à la hauteur de la pièce à couper.

Serrer fortement le Manipule No 06 (Fig.01) après le réglage.

2.2.5 Boite Collectrice

La scie possède une Boite Collectrice de résidus No.16 (Fig.01) qui est placée dans la partie inférieure de la scie.

Pour enlever la Boite tirer de côté jusqu'à la sortir totalement.

Pour la replacer pousser en sens inverse jusqu'au fond.

2.2.6 Racleurs

La scie modèle SI-282HD possède deux Racleurs, le Racleur du Volant No 18 (Fig.01) et le Racleur de la Lame No 19 (Fig.01).

Racleur du Volant

Ce Racleur retire la poussière des os ou les résidus du Volant Inférieur pendant l'usage. Le Racleur du Volant peut être démonté pour le nettoyage (voir item 3.3 nettoyage).

Racleur de la Lame

Ce Racleur retire la poussière des os ou les résidus de la Lame. Le Racleur de la Lame peut être démonté pour le nettoyage (voir item 3.3 nettoyage).

2.2.7 Volant Inférieur

Le Volant Inférieur No.16 (Fig.01) est montée sur l'essieu du coussinet inférieur et fixé par l'attache No. 10 (Fig.01) qui devra toujours être placée dans la rainure de l'essieu

Le Volant Inférieur peut être retiré pour le nettoyage après avoir enlevé la Lame (voir item 3.3 nettoyage).

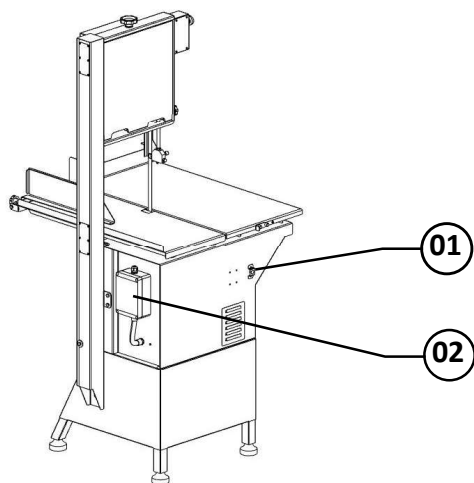
2.2.8 Volant Supérieur

Le Volant Supérieur No 05 (Fig.01) possède incorporé dans sa structure l'essieu et les roulements.

Le Volant Supérieur peut être retiré pour le nettoyage après avoir enlevé la Lame (voir item 3.3 nettoyage).

Avec l' aide d' un tournevis ouvrez le couvercle de la Boite à Connexions. Dans son intérieur se trouve le Diagramme Électrique.

PICTURE 02



IMPORTANT

Assurez-vous que la tension du réseau soit la même que celle indiquée sur l'étiquette du câble.

2.2.3 Lame

La Lame doit être installée avec les dents vers le côté avant de la scie, et tournés vers le bas.

Pour calibrer (tendre) la Lame No 08 (Fig.01) tourner le Manipule du Calibreur de Tension No. 01 (Fig.01) dans le sens horaire jusqu' il soit arrêté.

Le nombre de dents d'une scie à ruban influences de la lame à la fois la vitesse d'avance de coupe et la quantité de résidus (sciure) générées par la coupe. Voir le tableau ci-dessous pour une comparaison entre les deux principales mesures trouvées sur le marché:

Sélection de Lame Par Performance		
6 Dents par Pouce	↓ Vitesse d'avance de coupe	↓ Résidus
4 Dentes por Polegada	↑ Vitesse d'avance de coupe	↑ Résidus

4.7 Warning

Electrical or mechanical maintenance has to be undertaken by qualified personnel. The person in charge of maintenance has to be sure that the machine is under TOTAL SAFETY conditions when working.

5. PROBLEMS ANALYSIS and SOLUTIONS

5.1 Problems, Causes and Solutions

The Saws have been designed to need minimum maintenance, however, some performance failures may happen due mainly to natural worn out, caused by the use of the Saw.

If some problems arise with your Band Saw check Table - 02 below where there are detailed some possible solutions.

1.3 Caractéristiques Techniques

TABLE 01

Caractéristique	Unité	SI-282HDE-2
Tension	V	220
Courant Électrique	A	5,6
Fréquence	Hz	60
Puissance	HP	2
Consommation	kW.h	1.47
Hauteur	in	37 1/2
Largeur	in	37 3/4
Profondité	in	37 1/2
Poids Net	lb	251
Poids Brut	lb	357
Hauteur Max. de Coupe	in	12 3/4
Largeur Max. de Coupe	in	10

2. INSTALLATION

2.1 Réception et Déballage

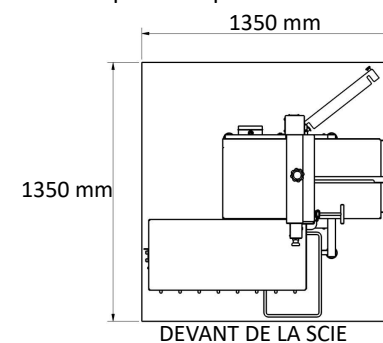
Immédiatement après avoir reçu la scie contrôlez l'intégrité de l'emballage.

Si l'emballage se trouve en mauvais état, contrôlez si la scie puisse avoir été endommagé pendant le transport. Si cela se soit produit, conservez l'emballage et contactez tout de suite le transporteur.

2.2 Installation

2.2.1 Mise en Place

Pour réussir une bonne performance dans le travail, la Scie doit être placée sur une surface stable. Voir le dessin ci dessous pour l'espace nécessaire pour installer la scie.



2.2.2 Installation Électrique

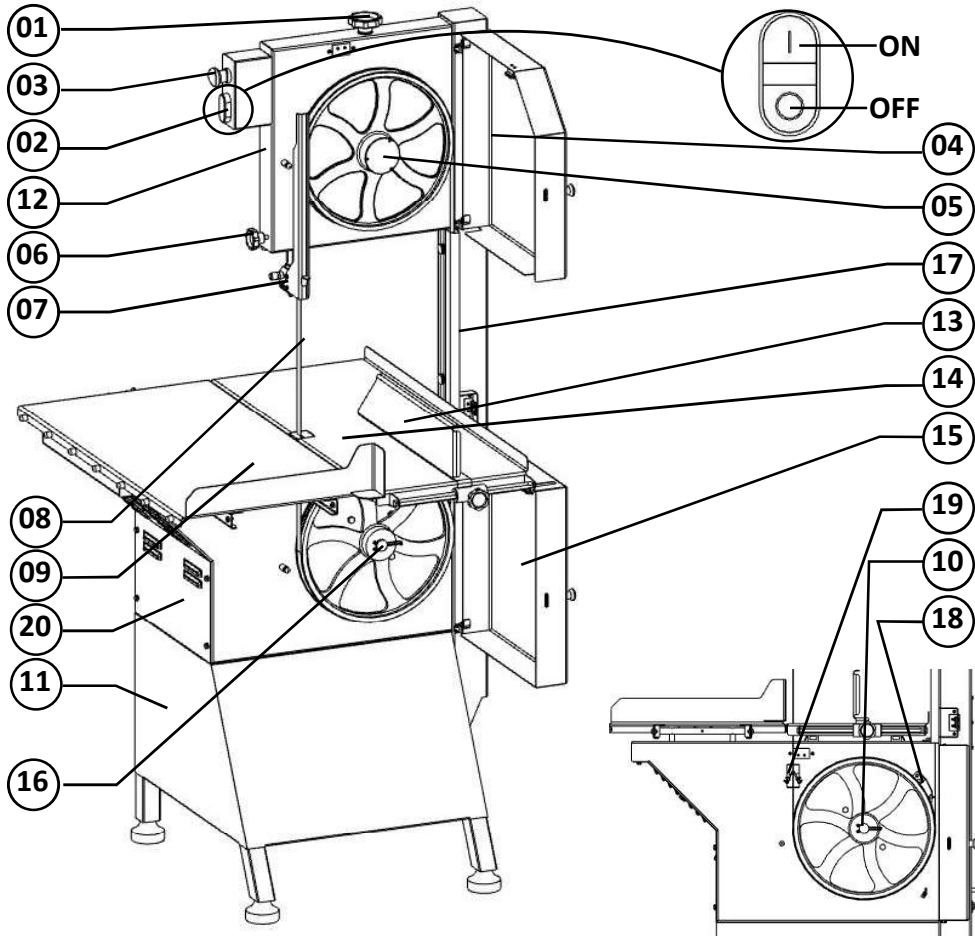
Ce modèle est livré sans câble d'alimentation électrique.

L'installation électrique devra être faite dans la Boîte à Connexions N° 02 (Fig. 02), placée sur le côté du Cabinet.

1.2 Composants Principaux

Tous les composants qui font partie de la machine ont été construits avec des matériaux soigneusement choisis pour leurs fonctions, suivant les manuels d'essais et l'expérience acquise par Siemens.

FIGURE 01



01 – Manipule de contrôle de la tension de la lame

02 - Interrupteur Attaché/Détaché

03 – Bouton d'Émergence

04 – Porte Supérieure

05 – Volant Supérieur

06 – Manipule

07 – Guide de la lame

08 – lame

09 – Table Mobile

10 – Attache du volant

11 – Tréteau

12 – Structure

13 - Régulateur de Coupe

14 – Table Fixe

15 – Porte Inférieure

16 – Volant Inférieur

17 – Protecteur de la lame

18 – Racleur du volant

19 – Racleur de la lame

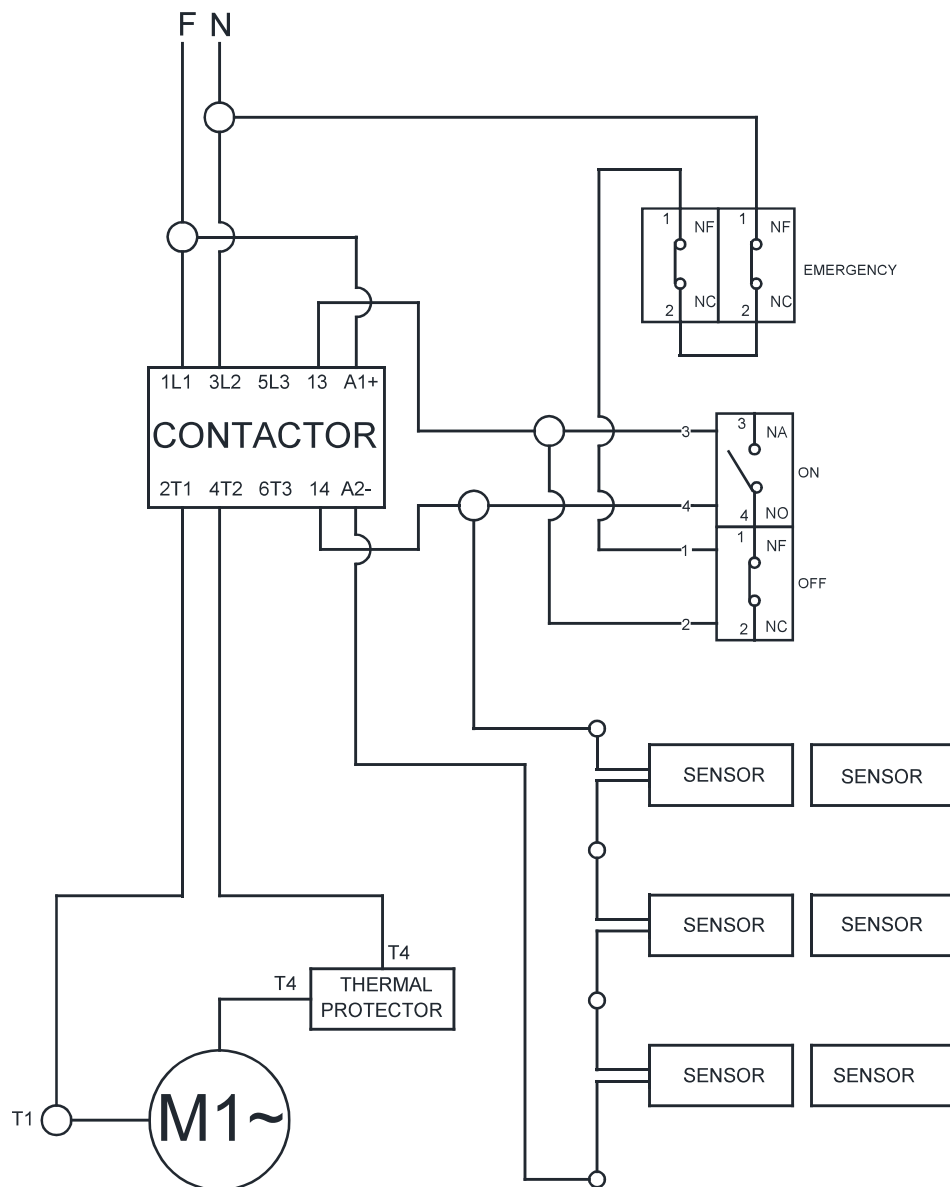
20 - Cabinet

TABLE 02

PROBLEM	CAUSES	SOLUTIONS
The saw does not switch on.	<ul style="list-style-type: none"> - The saw is unplugged; - Thermal Protector is activated; - Lack of power; - Problem with the internal or external circuits of the Saw. 	<ul style="list-style-type: none"> - Plug it; - Wait a few minutes and reset the Thermal Protector; - Check if there is electric power; - Call Technical Assistance.
Smoke or burn smell.	Problem with the internal or external electric circuits of the Saw.	Call Technical Assistance.
Machine switch on but when product touches blade # 08 (Pic. 01) it stops or runs slowly.	<ul style="list-style-type: none"> - Belt slipping on pulleys; - Damaged capacitor. 	<ul style="list-style-type: none"> - Call Technical Assistance; - Call Technical Assistance.
Unusual noises.	<ul style="list-style-type: none"> - Blade slipping on wheels; - The blade incorrectly welded. 	<ul style="list-style-type: none"> - Turn the blade tension regulator handle # 01 (Pic. 01) to increase pressure between blade and wheels; - Change the blade.
The blade frequently tears.	<ul style="list-style-type: none"> - Blade or wheels dirty; - Faulty wheels. 	<ul style="list-style-type: none"> - Clean the saw. (See item 3.3); - Change the wheels.
Difficulty to cut the product.	<ul style="list-style-type: none"> - Blade or wheels dirty; - Wrong tension on the blade; - Blade is off the wheels center; - Blade blunt. 	<ul style="list-style-type: none"> - Clean the saw. (See item 3.3); - Regulate blade tension, (See item 2.2.3); - Call Technical Assistance; - Change the blade.

6. ELECTRIC DIAGRAM

ELECTRIC NETWORK
230V/60Hz



IMPORTANT

Pour la sécurité de l'opérateur la Scie pour Os Modèle SI-282HDE-2 possède un système de sécurité qui empêche son fonctionnement sans que la porte supérieure No 04 (Fig 01), la porte inférieure No.15 (Fig 01) et la protection de la Lame No.17 (Fig 01) ne soient à leur place.

IMPORTANT

Si le câble d'alimentation électrique n'est pas en bonnes conditions, il devra être changé par un autre, respectant les spécifications techniques et de sécurité, le remplacement devra être fait par une personne qualifiée, respectant les normes de sécurité.

IMPORTANT

Cet équipement ne doit pas être employé par des enfants ou autres personnes ayant des facultés mentales ou physiques réduites, manquant d'expérience ou de connaissances, sauf sous supervision ou ayant reçu des instructions adéquates sur l'usage approprié de l'équipement.

IMPORTANT

En cas d'urgence pressez le Bouton d'Émergence No. 03 (Fig.01). Pour redémarrer la scie pressez le bouton VERT de l'Interrupteur Attaché/Détaché No. 02 (Fig.01).

INDICE

1. INTRODUCCIÓN	24
1.1 SEGURIDAD	24
1.2 PRINCIPALES COMPONENTES	26
1.3 CARACTERISTICAS TECNICAS	27
2. INSTALACIÓN	27
2.1 Recibimiento y desempaque de la sierra	27
2.2 Instalación	27
3 OPERACIÓN	29
3.1 Pre Operación	29
3.2 Procedimiento para la Operación	29
3.3 Limpieza y Higienización	30
4. NOCIONES GENERALES DE SEGURIDAD	35
4.1 Practicas Básicas de Operación	35
4.3 Inspección de Rutina	36
4.2 Cuidados y Observaciones Antes de Prender la Maquina.	36
4.4 Operación	37
4.5 Después de Terminar el Trabajo	37
4.6 Manutención	37
4.7 Aviso	37
5 ANÁLISIS Y SOLUCIÓN DE PROBLEMAS	38
5.1 Problemas, Causas y Soluciones	38
6. DIAGRAMA ELÉCTRICO	40
SKYFOOD EQUIPMENT LLC - SERVICE	61
SKYFOOD'S LIMITED WARRANTY	61

SOMMAIRE

1. Introduction	44
1.1 Mésures de Sécurité	44
1.2 Composants Principaux	46
1.3 Caractéristiques Techniques	47
2. Installation	47
2.1 Réception et Déballage.....	47
2.2 Installation	47
3 Opération	49
3.1 Pré Opération	49
3.2 Procédé pour l' Opération.....	49
3.3 Nettoyage et Hygienization	50
4. NOTIONS GENERALES DE SECURITE	55
4.1 Pratiques Fondamentales pour l' Opération	55
4.3 Inspection de Routine	56
4.2 Précautions et Observations Avant de Démarrer la Machine	56
4.4 Opération	57
4.5 Après la Fin du Travail	57
4.6 Entretien	57
4.7 Avertissements	57
5. Analyse et Solution de Problèmes.....	58
5.1 Problèmes Causes et Solutions.....	58
6. DIAGRAMME ÉLECTRIQUE	60
SKYFOOD EQUIPMENT LLC - SERVICE	61
SKYFOOD'S LIMITED WARRANTY	61

1. INTRODUCCIÓN

1.1 SEGURIDAD

Cuando usada incorrectamente, la Sierra para Huesos Mod. SI-282HDE-2 es una maquina potencialmente PELIGROSA. La mantención, la limpieza o otra cualquier actividad de servicio, solamente deben ser hechas por personas debidamente entrenadas, y con la maquina desconectada de la red eléctrica.

Las instrucciones abajo deberán ser seguidas para evitar accidentes:

1.1.1 Desconecte la maquina de la red eléctrica cuando sea deseado retirar cualquier parte removible, para hacer la limpieza, la mantención o otro cualquier servicio.

1.1.2 Nunca usar instrumentos fuera a los que acompañan la maquina para auxiliar en su operación.

1.1.3 Nunca toque la hoja Nº 08 (Fig.01) con la maquina en funcionamiento.

1.1.4 Nunca ajuste el Regulador de Corte No. 13 (Fig.01) con la hoja en movimiento.

1.1.5 Nunca use ropas con mangas anchas, principalmente en los puños, durante la operación.

1.1.6 Tenga las manos lejos de las partes en movimiento.

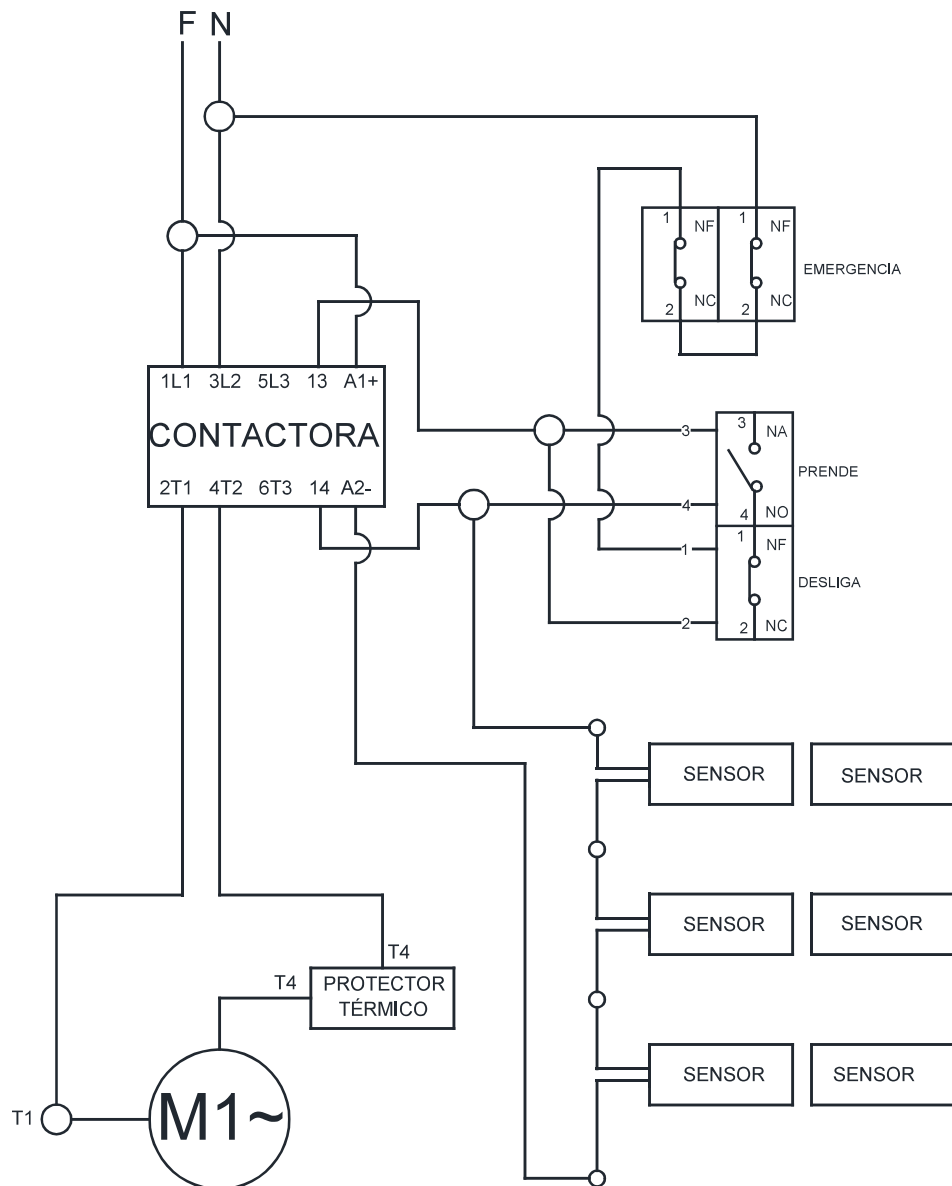
1.1.7 Nunca prenda la maquina con ropas o pies mojados

1.1.8 Al hacer la instalación eléctrica esté seguro de que sea hecho un buen aterramiento.

1.1.9 La sierra posee un protector térmico para la protección del motor y del operador en caso de sobrecalentamiento. Por lo tanto si la sierra parar de funcionar de repente, espere algunos minutos y entonces prenda el protector térmico manualmente, presionando el botón de rearme No.01 (Fig.02).

6. DIAGRAMA ELÉCTRICO

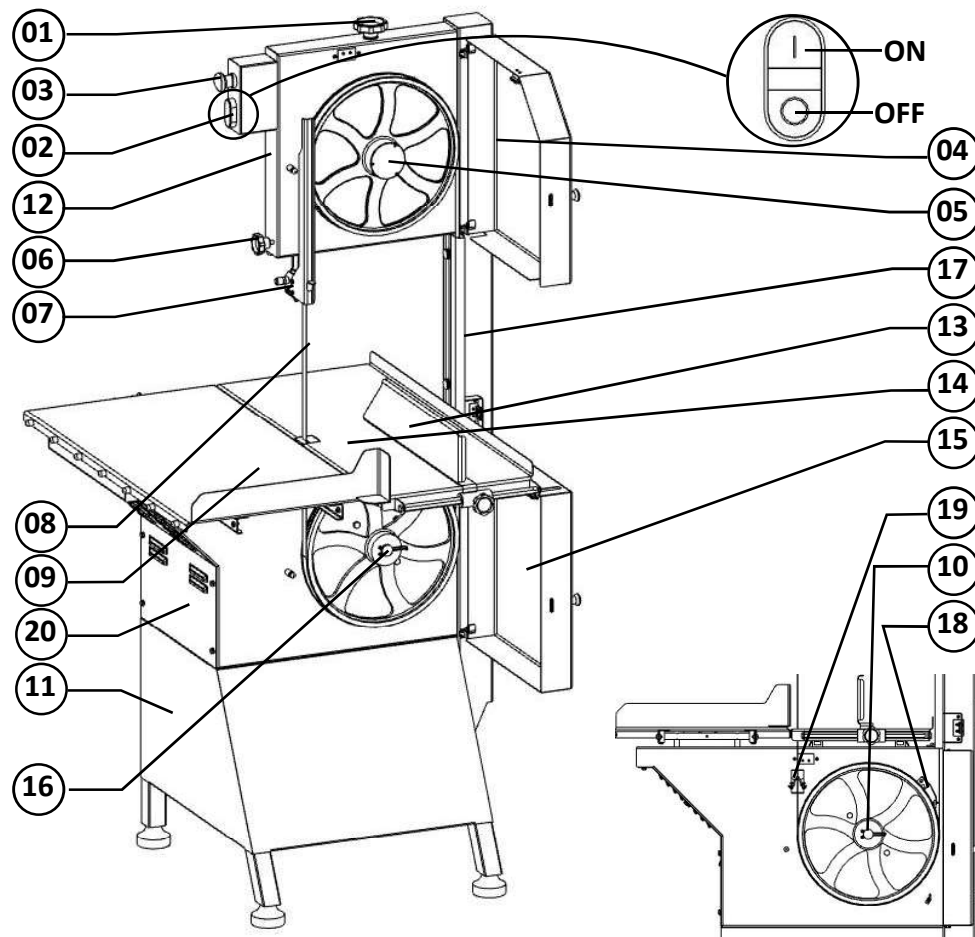
ENTRADA DE RED
230V/60Hz



1.2 PRINCIPALES COMPONENTES

Todos los componentes que incorporan la maquina son construidos con materiales cuidadosamente seleccionados para su función, dentro de los padrones de prueba y de la experiencia de SIEMSEN.

FIGURA 01



- 01 – Manija de control de tensión de la hoja
- 02 – Llave Prende/Desliga
- 03 – Botón de Emergencia
- 04 – Puerta Superior
- 05 – Volante Superior
- 06 – Manija
- 07 – Guía de la Hoja
- 08 – Hoja
- 09 – Mesa Movable
- 10 – Presilla del Volante

- 11 – Caballete
- 12 – Estructura
- 13 – Regulador de Corte
- 14 – Mesa Fija
- 15 – Puerta Inferior
- 16 – Volante Inferior
- 17 - Protección de la Hoja
- 18 – Rascador del Volante
- 19 – Rascador de la Hoja
- 20 – Gabinete

1.3 CARACTERISTICAS TECNICAS

TABLA 01

CARACTERISTICAS	UNIDAD	SI-282HDE-2
Voltaje	V	220
Corriente Eléctrica	A	5,6
Frecuencia	Hz	60
Potencia	HP	2
Consumo	kW.h	1.47
Altura	in	37 1/2
Ancho	in	37 3/4
Profundidad	in	37 1/2
Peso Neto	lb	251
Peso Bruto	lb	357
Ancho Max. de Corte	in	12 3/4
Altura Max. de Corte	in	10

2. INSTALACIÓN

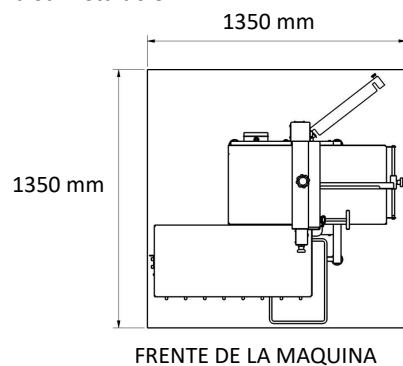
2.1 Recibimiento y desempaque de la sierra

Inmediatamente después del recibimiento de la Sierra, controle la integridad del embalaje. Caso el embalaje estuviera dañado, averigüe si hubo daños al producto durante el transporte. En caso positivo guarde el embalaje y entre en contacto con el transportador de inmediato;

2.2 Instalación

2.2.1 Posicionamiento

La sierra debe ser posicionada sobre una superficie firme y nivelada. Vea en el dibujo abajo el área necesaria para su instalación.



2.2.2 Instalación Eléctrica

Este modelo viene SIN cable de alimentación. La instalación eléctrica deberá ser realizada en la Caja de Conexiones Nº 02 (Fig. 02), en la lateral del equipo. Con un destornillador abra la tapa de la Caja de Conexiones, en su interior se encuentra el diagrama de conexiones.

TABLA 02

PROBLEMAS	CAUSAS	SOLUCIONES
La maquina no se prende	La maquina está desconectada de la red eléctrica.	Ligue el cable eléctrico de la maquina en la red eléctrica.
	Protector térmico en acción	Espere algunos minutos y rearme el protector.
	Falta de Energía Eléctrica	Averigüe si hay energía eléctrica.
Olor de quemado o humo	Problema con el circuito Interno o Externo de la maquina	Llame el Servicio Técnico.
	Problema con el circuito Interno o externo de la maquina	Llame el Servicio Técnico.
La maquina se prende, pero cuando el producto entra en contacto con la Hoja Nº08 (Fig.01), la misma para o gira en baja rotación.	Correa patinando	Llame el Servicio Técnico.
	Capacitor de partida del motor defectuoso	Llame el Servicio Técnico.
Ruidos anormales	Hoja patinando sobre los Volantes	Gire la Manija Nº01 (Fig.01) para aumentar la presión entre la Hoja y los Volantes.
	Hoja soldada incorrectamente	Cambie la Hoja
Hoja se rompe a menudo	Hoja o Volantes sucios	Haga limpieza conforme descrito en 3.3
	Volantes defectuosos	Cambie los Volantes
Dificultad en el corte del producto	Hoja o Volantes sucios	Haga limpieza conforme descrito en 3.3
	Hoja mal calibrada	Haga la calibración de la Hoja conforme descrito en 2.2.3
	Hoja descentralizada	Llame el Servicio Técnico
	Hoja sin corte	Cambie la Hoja

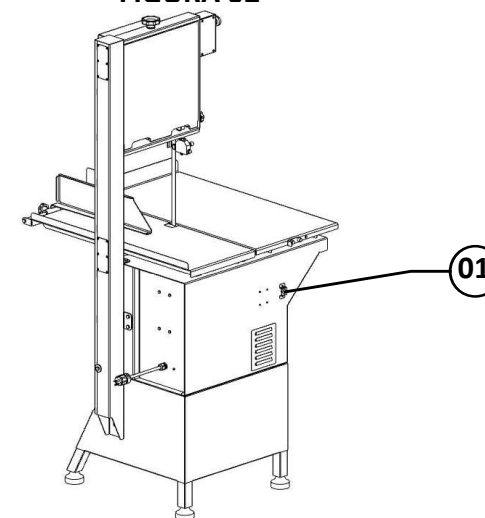
5 ANÁLISIS Y SOLUCIÓN DE PROBLEMAS

5.1 Problemas, Causas y Soluciones

La Sierra fue diseñada para que necesite un mínimo de manutención. Sin embargo, pueden ocurrir algunas irregularidades en su funcionamiento, debido al desgaste natural causado por su uso.

Caso haya algún problema con su maquina, verifique la Tabla – 02 abajo, donde están indicadas algunas soluciones recomendadas.

FIGURA 02



IMPORTANTE

Certifíquese de que la tensión de la red eléctrica es la misma de la tensión indicada en la etiqueta del cable de alimentación.

2.2.3 Hoja

La hoja debe ser instalada con los dientes vueltos por la parte de frente de la maquina y con las puntas para abajo;

Para calibrar (estirar) la hoja No 08 (Fig.01) gire la Manija del Calibrador de la Hoja No 01 (Fig.01) en el sentido HORARIO hasta que pare.

La cantidad de dientes de una Sierra para Carne e Oso tiene influencia en la velocidad de corte y en la producción de residuos de la carne procesada. Por gentileza notar abajo un cuadro comparativo entre las dos medidas principales que es posible encontrar en el mercado :

Performance por Hoja de Corte		
6 Dientes por Pulgada	↓ Velocidad de corte	↓ Residuos
4 Dientes por Pulgada	↑ Velocidad de corte	↑ Residuos

2.2.4 Guía de la Hoja

Con la sierra desligada, gire la Manija No.06 (Fig.01) en el sentido ante- horario para libertar la Guía de la Hoja No.07 (Fig.01). Ajuste la altura de la Guía de la Hoja para que sea la altura de la pieza a ser cortada

Después de ajustada la altura, apriete firmemente la Manija.

2.2.5 Caja Colectora de Residuos

La sierra posee una Caja Colectora de Residuos No.16 (Fig.01) que se encuentra en la parte inferior de la maquina.

Para remover la Caja Colectora tirela para la lateral de la sierra hasta su completa remoción.

Para reponerla proceda de manera inversa hasta la completa introducción.

2.2.6 Rascadores

La sierra modelo SI-282HD posee dos rascadores : rascador del Volante No.18 (Fig.01) y Rascador de la Hoja No. 19 (Fig.01).

Rascador del Volante

Este rascador retira polvo de hueso y detritos del volante inferior durante el uso. El rascador del volante puede ser removido para la limpieza (vide ítem 3.3 limpieza).

Rascador de la Hoja

Este rascador retira polvo de hueso y detritos de la Hoja durante el uso. El rascador de la hoja puede ser removido para la limpieza (vide ítem 3.3 limpieza).

2.2.7 Volante Inferior

El Volante Inferior No.16 (Fig.01) está montado sobre el eje del cojinete inferior prendido por la presilla No.10 (Fig.01) que deberá siempre estar en su posición en el encaje del eje.

El Volante Inferior puede ser retirado para limpieza después de haber sido removida la hoja (vide ítem 3.3 limpieza).

2.2.8 Volante Superior

El Volante Superior No.05 (Fig.01) incorpora en su propia estructura el eje y los rodamientos.

El Volante Superior puede ser retirado para limpieza después de haber sido removida la hoja (vide ítem 3.3 limpieza).

ruidos anormales.

Verifique la tensión de las correas, y sustituya el conjunto, caso alguna correa o polea tenga desgaste. Al verificar la tensión de las correas, NO coloque los dedos entre la s correas y poleas.

Verifique las protecciones y los dispositivos de seguridad para que siempre funcionen adecuadamente.

4.4 Operación

4.4.1 Avisos

No trabaje con pelo largo, que pueda tocar cualquier parte de la maquina, pues el mismo podría causar serios accidentes. Amárrelo para arriba y para atrás, o cúbralo con un pañuelo.

Solamente operadores entrenados y calificados pueden operar la maquina.

Nunca toque con las manos o de cualquier otra manera, partes girantes de la maquina.

JAMÁS opere la maquina, sin algún de sus accesorios de seguridad.

4.5 Después de Terminar el Trabajo

4.5.1 Cuidados

Siempre limpie la maquina. Para tanto, deslíguela físicamente del soquete.

Nunca limpie la maquina antes de su PARADA COMPLETA.

Recoloque todos los componentes de la maquina en sus lugares, antes de ligarla otra vez.

Al verificar la tensión de las correas/cadenas, NO coloque los dedos entre las correas y las poleas ni entre las cadenas y engranajes..

4.6 Manutención

4.6.1 Peligros

Con la maquina ligada cualquier operación de manutención es peligrosa. DESLÍGUELA FÍSICAMENTE DE LA RED ELÉCTRICA, DURANTE TODA LA OPERACIÓN DE MANUTENCIÓN.

IMPORTANTE

Siempre desligue de la red eléctrica en cualquier caso de emergencia.

4.7 Aviso

La manutención eléctrica o mecánica debe ser hecha por una persona calificada para hacer el trabajo.

La persona encargada por la manutención debe certificarse que la maquina trabaje bajo condiciones TOTALES DE SEGURIDAD.

Evite choques mecánicos, ellos pueden causar fallas o malo funcionamiento.
Evite que agua, suciedad o polvo entren en los componentes mecánicos y eléctricos de la maquina.

NO ALTERE las características originales de la maquina.

NO SUCIE, RASGUE O RETIRE CUALQUIER ETIQUETA DE SEGURIDAD O DE IDENTIFICACIÓN.

Caso alguna esté ilegible o perdida, solicite otra al Asistente Técnico más cercano.

LEA ATENTAMENTE Y CON CUIDADO LAS ETIQUETAS DE SEGURIDAD Y DE IDENTIFICACIÓN CONTENIDAS EN LA MAQUINA, ASÍ COMO LAS INSTRUCCIONES Y LAS TABLAS TÉCNICAS CONTENIDAS EN ESTE MANUAL.

4.2 Cuidados y Observaciones Antes de Prender la Maquina.

IMPORTANTE

Lee con atención y cuidado las INSTRUCCIONES contenidas en este Manual, antes de ligar la maquina. Certifíquese que entendió correctamente todas las informaciones. En caso de duda, consulte su superior o el Revendedor.

4.2.1 Peligro

Cables o hilos eléctricos con aislamiento dañado, pueden provocar choques eléctricos. Antes de usarlos verifique sus condiciones.

4.2.2 Avisos

Esté seguro que las INSTRUCCIONES contenidas en este Manual, estén completamente entendidas. Cada función o procedimiento de operación y de manutención debe estar perfectamente claro.

El accionamiento de un comando manual (botón, llave eléctrica, palanca, etc.) debe ser hecho siempre después que se tenga la certitud de que es el comando correcto.

4.2.3 Cuidados

El cable de alimentación de energía eléctrica de la maquina, debe tener una sección suficiente para soportar la potencia eléctrica consumida.

Cables eléctricos que estuvieran en el suelo cerca de la maquina, deben ser protegidos para evitar corto circuitos.

4.3 Inspección de Rutina

4.3.1 Aviso

Al averiguar la tensión de las correas/cadenas, NO coloque los dedos entre las correas y las poleas, ni cadenas y engranajes..

4.3.2 Cuidados

Verifique los motores y las partes deslizantes o girantes de la maquina, con relación a

3 OPERACIÓN

3.1 Pre Operación

3.1.1 Verifique si el equipó está firme en su local de trabajo.

3.1.2 Ajuste la altura de la Guía de la Hoja No.07 (Fig.01) para la altura de la pieza a ser cortada

3.1.3 Las puertas y la protección de la hoja – Puerta Superior No 04 (Fig.01), Puerta Inferior No15 (Fig.01), y la Protección de la hoja No.17 (Fig.01) – deben estar en la posición de operación debidamente cerradas mientras la maquina esté en operación.

3.1.4 Regulador de Corte

Para realizar cortes de la misma espesura ajuste el Regulador de Corte No. 13 (Fig.01) como deseado.

Para eso gire la manija del Regulador de Corte en el sentido ante horario para liberar el Regulador de Corte. Después lleve el Regulador de Corte para la espesura deseada y apriete firmemente la manija del Regulador.

3.1.5 Painel de Comando

El Painel de Comando está localizado en el lado derecho de la sierra y posee un Botón de Emergencia No 03 (Fig.01) y una Llave Prende/Desliga No 02 (Fig.01).

Para prender la Sierra presione el botón verde “I” (prende) en la Llave Prende/Desliga.

Para desligar la Sierra presione el botón rojo “O” en la Llave Prende/Desliga.

En caso de EMERGENCIA presione el Botón Emergencia que desliga inmediatamente el equipo.

3.2 Procedimiento para la Operación

Antes de prender la Sierra :

Tire la Mesa Movable No.09 (Fig. 01) totalmente para la frente de la sierra.

Coloque el producto para ser cortado sobre la mesa movable

Elija la espesura de la tajada a ser cortada y ajuste el Regulador de Corte No. 13 (Fig, 01) de acuerdo con el ítem 3.1.4.

Ajuste la Guía de la Hoja No.07 (Fig.01) para la altura de la pieza a ser cortada, de acuerdo con el ítem 2.2.4.

Póngase en frente de la Sierra de manera que tenga una visión frontal de la hoja.

Prenda la Sierra.

Para prender la Sierra presione el botón Verde “I” (prende) de la llave Prende/Desliga.

Lleve el producto a ser procesado en la dirección del Regulador de Corte hasta tocarlo.

Coloque la mano izquierda sobre el borde de protección de la Mesa Movable y haga deslizar la Mesa Movable de encuentro a la hoja cortando el producto con una velocidad constante y uniforme.

Después de se haber cortado toda una tajada, use la mano derecha para removerla, La tajada deberá SIEMPRE ser retirada por detrás de la hoja para evitar el contacto de la mano con la zona de corte.

IMPORTANTE

Nunca retire las tajadas por la frente de la sierra.

Coloque las tajadas sobre la Mesa Fija No 14 (Fig.01).

Traiga la Mesa Movable de vuelta para la frente de la sierra y repita los pasos anteriores para procesar todo el producto.

Al terminar el corte de la ultima tajada desligue la sierra presionando el botón rojo "O" (desligar) en la llave Prende/Desliga.

3.3 Limpieza e Higienización

IMPORTANTE

Retirar la flecha de la toma antes de comenzar la limpieza.

La sierra debe ser totalmente limpia e higienizada :

- Antes de ser usada por la primera vez.
- Después de cada día de operación
- Antes de guardarla por un largo periodo sin uso
- Antes de colocarla en actividad después de un largo periodo de inactividad

Varias partes de la sierra pueden ser removidas para la limpieza:

- Puerta Superior
- Puerta Inferior
- Protección de la hoja.
- Mesa Movable
- Taco de la Mesa Fija
- Mesa Fija
- Hoja
- Volante Superior
- Volante Inferior
- Rascador de la Hoja
- Rascador del Volante
- Calibrador de la Hoja

Para remover las partes arriba, procédase como abajo explicado:

4. NOCIONES GENERALES DE SEGURIDAD

IMPORTANTE

Si cualquiera de las recomendaciones no fuera aplicable, ignórela

Las Nociones Generales de Seguridad fueran preparadas para orientar y instruir adecuadamente a los operadores de las maquinas, así como aquellos que serán responsables por su manutención.

La maquina solamente debe ser entregue al operador en buenas condiciones de uso, al que el operador debe ser orientado cuanto al uso y a la seguridad de la maquina por el Revendedor. El operador solamente debe usar la maquina con el conocimiento completo de los cuidados que deben ser tomados, después de LER ATENTAMENTE TODO ESTE MANUAL.

4.1 Practicas Básicas de Operación

4.1.1 Peligros

Algunas partes del accionamiento eléctrico presentan pontos o terminales con altos voltajes. Cuando tocados pueden ocasionar graves choques eléctricos, o hasta la muerte de una persona.

Nunca toque un comando manual (botón, llave eléctrica, etc.) con las manos, zapatos o ropas mojadas. No atender a esta recomendación, también podrá provocar choques eléctricos, o hasta la muerte de una persona.

4.1.2 Advertencias

El local de la llave liga / desliga debe ser bien conocido, para que sea posible accionarla a cualquier momento sin la necesidad de procurarla.

Antes de cualquier manutención desconecte la maquina de la red eléctrica.

Proporcione espacio suficiente para evitar caídas peligrosas.

Agua o aceite podrá hacer resbaloso y peligroso el piso. Para evitar accidentes el piso debe estar seco y limpio.

Antes de accionar cualquier comando manual (botones, llaves eléctricas, palancas, etc.) verifique siempre si el comando es el correcto, o en caso de dudas, consulte este Manual.

Nunca toque ni accione un comando manual (botones, llaves eléctricas, palancas etc.) por acaso.

Si un trabajo debe ser hecho por dos o más personas, señales de coordinación deben ser dados antes de cada operación. La operación siguiente no debe ser comenzada sin que la respectiva señal sea dada y respondida.

4.1.3 Avisos

En el caso de falta de energía eléctrica, desligue inmediatamente la llave liga / desliga.

Use solamente óleos lubricantes o grasas recomendadas o equivalentes.

3.3.1 Cuidados con los aceros inoxidable

Los aceros inoxidable pueden presentar puntos de "corrosión", que SIEMPRE SON PROVOCADOS POR AGENTES EXTERNOS, principalmente cuando el cuidado con la limpieza o higienización no sea constante y adecuado.

La resistencia a la corrosión del acero inoxidable se debe principalmente a la presencia del cromo que, en contacto con el oxígeno, permite la formación de una finísima camada protectora. Esta camada protectora se forma sobre toda la superficie del acero, bloqueando la acción de los agentes externos que provocan la corrosión.

Cuando la camada protectora sufre un rompimiento, el proceso de corrosión es iniciado, pudiendo ser evitado a través de la limpieza constante y adecuada.

Inmediatamente después de la utilización del equipamiento, es necesario proceder con la limpieza, utilizando agua, jabón o detergentes neutros, aplicados con un paño suave o esponja de nylon. A seguir, enjuagar con agua corriente, se debe enjuagar e, inmediatamente secar, con un paño suave, evitando la permanencia de humedades en las superficies y principalmente en las grietas.

El enjuague y el secado son extremadamente importantes para evitar el apareamiento de huellas o corrosiones.

IMPORTANTE

Soluciones ácidas, soluciones salinas, desinfectantes y determinadas soluciones para esterilizar (hipocloritos, sales de amoníaco tetravalente, compuestos de iodo, ácido nítrico y otros), deben ser EVITADAS por no poder permanecer mucho tiempo en contacto con el acero inoxidable.

Visto que generalmente poseen CLORO en su composición, tales sustancias atacan el acero inoxidable, causando puntos de corrosión.

Mismo los detergentes utilizados en la limpieza doméstica, no deben permanecer en contacto con el acero inoxidable más de lo necesario, debiendo ser también removidos con agua y la superficie deberá ser completamente seca.

Uso de abrasivos:

Esponjas o estropajos de acero y cepillos de acero en general, además de rallar la superficie y comprometer la protección del acero inoxidable, dejan partículas que oxidan y reaccionan, contaminando el acero inoxidable. Por eso, tales productos no deben ser usados en la limpieza e higienización. Raspados hechos con instrumentos puntiagudos o similares también deberán ser evitados.

Principales sustancias que causan la corrosión de los aceros inoxidable:

Polvos, grasas, engrases, aceites, soluciones ácidas como el vinagre, jugos de frutas u otros ácidos, soluciones salinas (salmuera), sangre, detergentes (excepto los neutros), partículas de aceros, residuos de esponjas o estropajos de acero común, además de otros tipos de abrasivos.

- Puerta Superior

Abra la Puerta Superior No 04 (Fig.03) tirándola y dislocando la misma para arriba.

- Puerta Inferior

Abra la puerta Inferior No.15 (Fig.01) tirándola y dislocando la misma para arriba.

- Protección de la Hoja

Gire las dos manijas en el sentido ante horario el suficiente para soltar la Protección de la Hoja No.01 (Fig.03). Retire entonces la Protección de la Hoja tirándola para la frente de la sierra.

- Mesa Movable

Tire la Mesa Movable No. 09 (Fig 01) totalmente para la frente de la sierra.

Disloque la chapa batiente como en la figura 04 y deslice la Mesa Movable completamente

FIGURA 03



para afuera de los rollos.

- Taco de la mesa fija

Retire el Taco de la Mesa Fija levantándolo de la Mesa Fija, como en la figura 05.

- Mesa Fija

Levante verticalmente (sentido de la flecha) la parte de frente de la Mesa Fija - figura 06

FIGURA 04



- hasta que ella suelte la traba inferior, En seguida tire la Mesa Fija para adelante (sentido de la flecha) hasta que sea removida totalmente.

PICTURE 05



- Hoja
Gire la manija de control de tensión de la hoja No 01 (Fig.01) en el sentido ante horario hasta que la hoja esté libre para ser retirada.

FIGURA 06



FIGURA 07



IMPORTANTE

Use guantes de malla de acero para manosear la hoja.

- Volante Superior
Después de retirar la hoja agarre firmemente el volante superior No 05 (Fig.01) y tírelo verticalmente para arriba, y después tírelo para la frente de la sierra.

- Volante Inferior
Retire la Presilla No.01 (Fig. 08) agarre firmemente el Volante Inferior tírelo para la frente de la sierra, Figura 09.

FIGURA 08



FIGURA 09



- Rascador de la Hoja
Deslice el Rascador de la Hoja lateralmente para afuera de su alojamiento.

-Rascador del Volante
Después de haber retirado el Volante Inferior, basta tirar el Rascador del Volante para la frente de la sierra, haciéndolo salir del perno guía.

- Calibrador de la hoja
Póngase en la parte de atrás de la sierra y retire la Tapa Trasera Superior No.01 (Fig.10). Gire la Manija del Calibrador de la Hoja No.02 (Fig.11) en el sentido ante horario hasta que el Calibrador de la Hoja No,01 (Fig.11) se quede libre para ser retirado. Retire también la Manija del Calibrador No 02 (Fig.11).

FIGURA 10

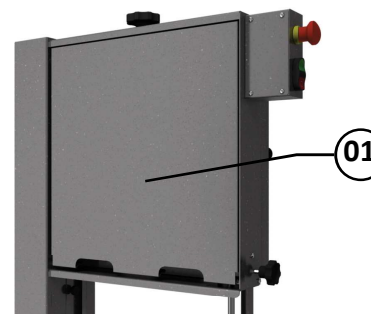
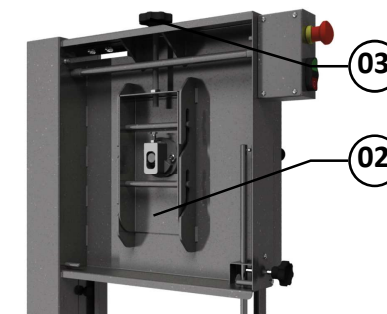


FIGURA 11



Lave todas las partes con agua y detergente con pH neutro.

IMPORTANTE

No use chorro de agua directamente sobre el Cojinete Inferior, Paniel de Conexiones, y Gabinete, principalmente en los lugares de ventilación.

Use un paño limpio ó un cepillo blando para remover residuos.
Lave e higienize regularmente todas las partes, y después las seque con cuidado.
Monte otra vez todas las partes en el orden reversa de la instrucción arriba, con cuidado para que estén correctamente ensambladas.